

OPERATING PERFORMANCE

Operating Weight	
	Cab Rubber 34,480 lb (15,640 kg)
	Cab Steel 35,109 lb (15,925 kg)
Maximum Digging Depth	18 ft 0 in (5,475 mm)
Maximum Dump Height	20 ft 4.9 in (6,220 mm)
Maximum Reach	28 ft 8.9 in (8,760 mm)
Maximum Bucket Breakout Force	22,190 lb (10,065 kg)
Maximum Arm Digging Force	14,590 lb (6,618 kg)
Arm Length	8 ft 5 in (2,570 mm)
Slew Speed	10.8 rpm
Traction Force	32,600 lb (14,786 kg)

ENGINE

Make / Model	Deutz / TCD 3.6L4 - Turbo
Tier Rating	EPA Final Tier 4
Cylinders / Displacement	4 / 221 cu in (3.6 L)
Horsepower	114 hp (85.0 kW)
Rated Engine Speed	1,600 rpm
Maximum Torque	339.3 ft-lb @ 1,600 rpm (460 Nm)
Engine Lubrication	10.6 qt (10.0 L)
Cooling System	21.1 qt (20.0 L)
Fuel Tank Capacity	73.4 gal (278 L)
Fuel Consumption (65% of full load)	3.84 gal / hr (14.5 L / hr)
Electrical System	24 volts / 80 amps

UNDERCARRIAGE

Traction Drive Type	Planetary Drive Reduction and Auto Shift Down
Parking Brake	Spring Applied, Hydraulically Released
Track Roller Type	Permanently Sealed, Triple Flanged Rollers
Track Rollers	7 per side
Track Width	Rubber 20 in (500 mm) Steel 24 in (600 mm)
Track Ground Contact Length	9 ft 6 in (2,895 mm)
Ground Pressure	Rubber 6.88 psi (47.1 kPa) Steel 6.92 psi (47.7 kPa)
Maximum Travel Speed	
Low Range	1.9 mph (3.1 km / hr)
High Range	3.4 mph (5.5 km / hr)

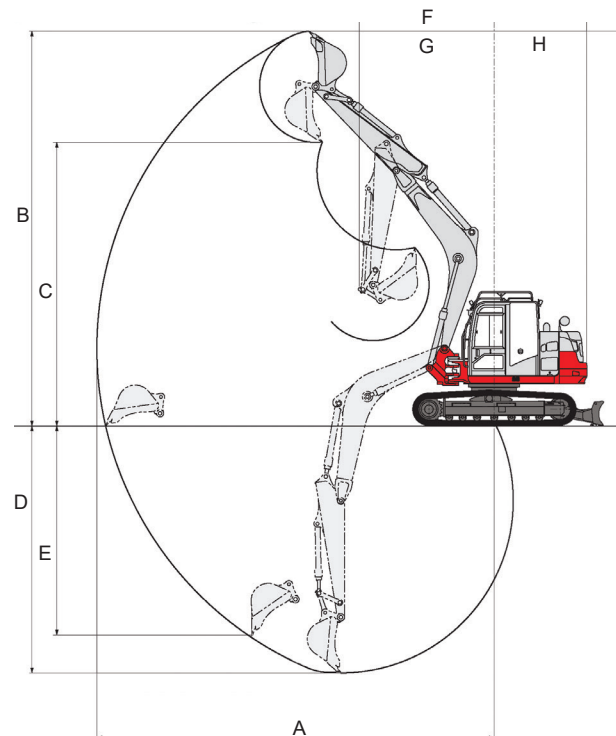
HYDRAULIC

Pump Type	Twin Variable Displacement Piston Pumps with Two Gear Pumps
Total Hydraulic Flow	78.9 gal / min (293.0 L / min)
Primary Auxiliary Hydraulic Flow	59 gal / min (224.0 L / min)
Secondary Auxiliary Hydraulic Flow	14.5 gal / min (55.0 L / min)
System Operating Pressure	4,977 psi (34.3 MPa)
Hydraulic Reservoir Capacity	28.1 gal (107.0 L)
Hydraulic System Capacity	42.3 gal (160.0 L)



WORKING DIMENSIONS

A. Maximum Reach	28 ft 8.9 in (8,760 mm)
B. Maximum Dig Height	28 ft 5.0 in (8,670 mm)
C. Maximum Dump Height	20 ft 4.9 in (6,220 mm)
D. Maximum Dig Depth	18 ft 0 in (5,475 mm)
E. Maximum Vertical Dig Depth	15 ft 2.5 in (4,635 mm)
F. Front Swing Radius (straight)	9 ft 11.0 in (3,015 mm)
G. Front Swing Radius (offset)	7 ft 10.0 in (2,405 mm)
H. Tail Swing Radius	6 ft 6.7 in (2,000 mm)



Product Features

ENGINE

- ◆ EPA Final Tier 4 Compliant
- ◆ Turbocharged
- ◆ High Pressure Common Rail Fuel Injection
- ◆ DOC / SCR Exhaust Aftertreatment
- ◆ Automatic Idle
- ◆ Engine Modes Include: Power, Eco, High Altitude
- ◆ Automatic Fuel Bleed System
- ◆ High Capacity Fuel Filters
- ◆ Dual Element Air Filter
- ◆ High Capacity Radiator
- ◆ Automatic Preheat

ELECTRICAL

- ◆ Color Multi-Functional Display
- ◆ Sealed Rocker Switches
- ◆ 24 volts / 80 amp Alternator
- ◆ Work Lights: Boom, Cab, Right and Left Sides
- ◆ Travel Alarm
- ◆ Horn
- ◆ 12 volt Outlet
- Rear Work Light

UNDERCARRIAGE AND FRAME

- ◆ Triple Flanged Track Rollers
- ◆ Two-Speed Travel with Automatic Shift
- ◆ High Torque Planetary Final Drive
- ◆ Wide Dozer Configuration (**8ft 6 in Wide**) and Float
- ◆ Large Wrap Around Counterweight with Towers
- ◆ 20" Rubber Tracks
- 24" Steel Tracks
- 20" Segmented Rubber Tracks

HYDRAULIC

- ◆ Cushioned Boom and Arm Cylinders
- ◆ High Capacity Hydraulic Oil Cooler
- ◆ Precise and Responsive Pilot Controls with Proportional
- ◆ Thumb Wheel for Auxiliary Circuits
- ◆ Primary and Secondary, Auxiliary Hydraulic Circuits Plumbed to Arm
- ◆ High Flow Primary Auxiliary Circuit with Adjustable Flow
- ◆ Primary Auxiliary Circuit Detent Mode
- ◆ Primary Auxiliary Circuit with Selectable One-Way and Two-Way Operation
- ◆ Secondary Auxiliary Circuit with Adjustable Flow
- ◆ High Pressure Third Auxiliary Circuit
- ◆ Pilot Accumulator

◆ - Standard ○ - Optional

WORKING EQUIPMENT

- ◆ Dual Boom Cylinders
- ◆ Heavy Duty Pivot Boom Swing Frame
- ◆ Long Arm
- ◆ Arm and Boom Holding Valve with Lift Alarm
- Pin Grabber Bucket Coupler
- Main Pin Hydraulic Thumb

OPERATOR'S STATION

- ◆ Cab with Certified ROPS / TOPS / OPG Level 2 Protection
- ◆ Deluxe High Back Cloth Air Suspension Seat
- ◆ Quick Change Control Pattern (ISO or SAE)
- ◆ AM / FM / MP3 Radio
- ◆ Automatic Climate Control System for A/C, Heat and Defrost
- ◆ 2" Retractable Seat Belt
- Front Window Guard
- 3" Retractable Seat Belt

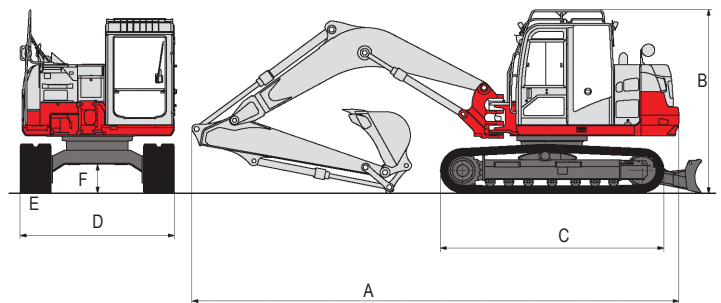
TAKEUCHI FLEET MANAGEMENT

- ◆ 2 Year Standard Service
- ◆ Minimize Downtime
- ◆ Remote Diagnostics
- ◆ Utilization Tracking
- ◆ Proactive Maintenance
- ◆ Control Costs



MACHINE DIMENSIONS (steel tracks)

A. Transport Length	25 ft 7.3 in (7,805 mm)
B. Transport Height	9 ft 8.5 in (2,960 mm)
C. Track Overall Length	11 ft 10.3 in (3,615 mm)
D. Overall Width (Rubber)	8 ft 2.0 in (2,490 mm)
E. Track Width (Rubber)	20.0 in (500 mm)
F. Ground Clearance	1 ft 7.0 in (475 mm)



TAKEUCHI
Those in the know, know Takeuchi