

takeuchi
NEW ARRIVAL

FULL HYDRAULIC COMPACT EXCAVATOR

TB240

Machine Weight : 4014kg



takeuchi

TB240

Machine Weight : 4014kg

Operating Range

A	5545
B	5425
C	3465
D	2665
E	3725
F	5245
G	3825
H	1185
J	405/410*
K	385

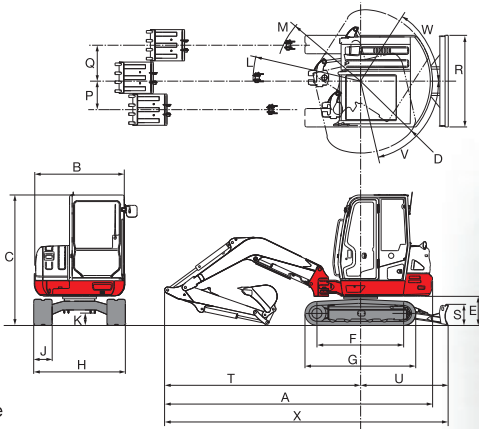
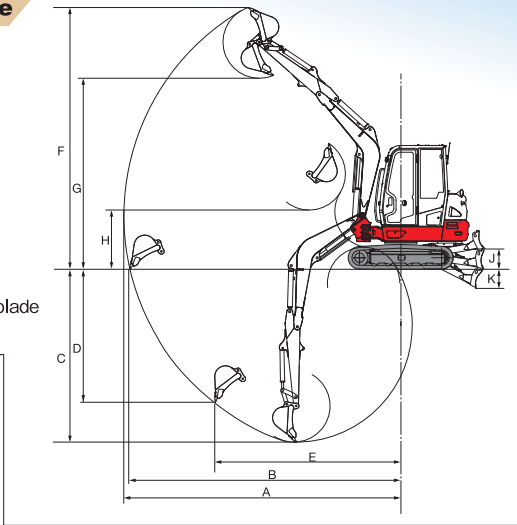
* : With an angle dozer blade

Dimensions

A	5085
B	1720
C	2490/2505**
D	1365
E	570
F	1645
G	2105
H	1740
J	350
K	295
L	2040
M	1620
P	540
Q	680
R	1740
S	395/400*
T	3720
U	1650/1655*
V	77°
W	57°
X	5380/5390*

* : With an angle dozer blade

** : Cab



SPECIFICATIONS

Basic Specifications / Dimensions			Operating Ranges / Digging force		
Operating Mass	kg	4014	Arm Digging Force	kN	18.3
Bucket Capacity (Heaped)	m ³	0.12	Arm Length	mm	1600
Engine Manufacturer	—	YANMAR	Boom Cylinder Layout		FRONT
Engine Model	—	4TNV88-ZSTB			
Engine Compliance	—	-	Hydraulic Performance		
Rated Output (ISO 9249)	kW/min ⁻¹	26.0	Main Relief Valve Pressure Setting	MPa	2x24.0+1x29.6+3.43
Fuel Tank Capacity	L	70	Hydraulic Pump Delivery	L/min	2x41.8+1x23.5+9.9
Overall Length	mm	5085	Hydraulic Oil System	L	67
Upperstructure Overall Width	mm	1720	Service Port 1 Pressure	MPa	20.6
Overall Height	mm	2490	Service Port 1 Flow Rate	L/min	65.3
Crawler Overall Length	mm	2105	Service Port 2 Pressure	MPa	20.6
Crawler Overall Width	mm	1740	Service Port 2 Flow Rate	L/min	23.5
Dozer Blade Width x Height	mm	1740x395	Service Port 3 Pressure	MPa (A/B)	3.4/20.6
Slew Radius	mm	1365	Service Port 3 Flow Rate	L/min(A/B)	9.9/13.4
Crawler Shoe Width	mm	350	Service Port 4 Pressure	MPa	20.6
Ground Clearance of Undercarriage	mm	295	Service Port 4 Flow Rate	L/min	23.5
			Slew Speed	min ⁻¹	10.1
			Travel Speed (1st/2nd)	km/h	2.7/4.9
			Maximum Tractive Force	kN	39.4
Operating Ranges / Digging force			Equipment		
Maximum Digging Depth	mm	3465	Monitoring Display		LCD Monitor
Maximum Reach	mm	5545	ROPS/TOPS/FOPS/OPG		○/○/○
Boom Swing Angle Left / Right	deg	77/57	Auto Deceleration System		Standard
Dozer Blade Maximum Lifting / Lowering	mm	405/385			
Bucket Digging Force	kN	30.8			

TAKEUCHI

WORLD CREATOR OF COMPACT EXCAVATOR
TAKEUCHI MFG.CO.,LTD.
 205, Uwadaira,Sakaki-machi, Hanisina-gun,
 Nagano 389-0605,Japan
 Phone (81)268-81-1112
 Telefax(81)268-81-1121
 URL <http://www.takeuchi-mfg.co.jp>
 E-mail:marketing@takeuchi-mfg.com