

WEIGHT CLASS
1.7 TONNE
| TB217R |



SHORT TAIL SWING EXCAVATOR



TAKEUCHI
Japanese for Reliability

New TB217R short tail swing mini excavator

Takeuchi introduce the new TB217R, a compact 1.7 tonne short tail swing mini excavator.

The TB217R is a versatile compact mini that works in the tightest spaces with a very short working slew radius of just 730mm, offering an excellent alternative for tool hire, utilities, light landscaping and jobbing builders.

The TB217R is designed with a longer dipper arm and track frame to provide excellent working ranges for a 1.7 tonne machine weight class; maximum dig depth 2390mm and dump height 2545mm.

The fabricated steel boom and dipper provide maximum strength. The top mounted hydraulic cylinders and internally routed hoses provide added on-site protection.

Easy access and setup with 1/2-way breaker valve located below the operator seat, in lockable service panel. The breaker auxiliary is foot pedal operated.

EXPANDABLE TRACK FRAME

A unique expanding track frame adjusts from 980 to 1300mm getting access in narrow spaces.

Added track width gives greater operating stability. The TB217R has double flanged rollers for reliable track retention.



PROTECT YOUR INVESTMENT

The TB217R now comes with the new TSS **Takeuchi Security System** as standard.



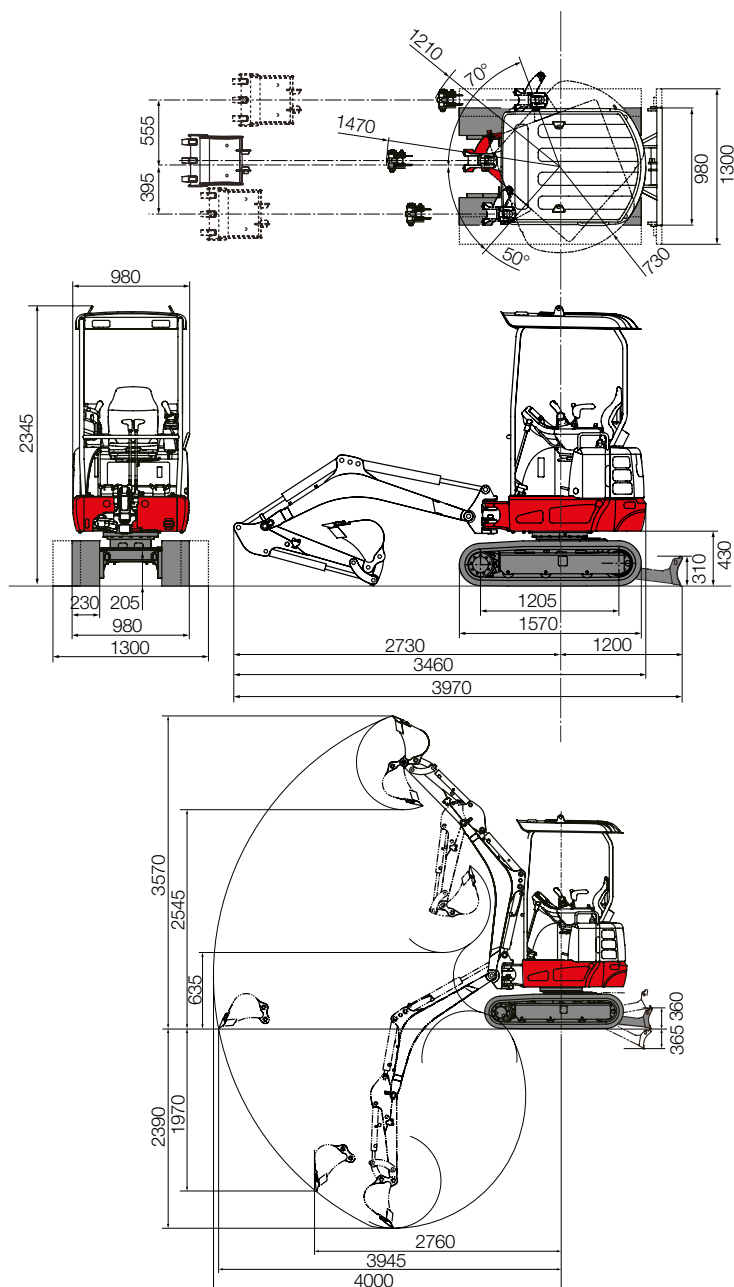
The TB217R is a very well protected mini digger built for the toughest site conditions, designed and built for utilities work.

A 1.7 tonne short tail swing is an excellent alternative when space is limited for all types of application - landscaping, utilities, groundworks and street works.

Operators enjoy the smooth operation and powerful digging force from a compact portable canopy machine.

With a maximum dig depth up to 2390mm and dump height of 2545mm alongside a maximum reach at ground level as far as 3945mm the TB217R really does outperform for its compact size.

With a reputation for reliability, Japanese build quality makes all the difference.



TB217R

Standard UK Specification - Long Dipper

Engine	
Make	YANMAR
Model	3TNV70-PTB1R
Rated Output (kW)/rpm	11.5/2400
Maximum Torque (Nm)	52.6
Cylinders	3
Displacement (cc)	854
Electrical System	12 V 48 A

Dimensions & Weight	
Operating Weight inclusive of bucket and fuel (kg)	1680
Overall Length (mm)	3460
Overall Length dozer at rear (mm)	3970
Width cab/canopy (mm)	980
with extended track (mm)	1300
Height cab/canopy (mm)	2345
Ground Clearance (mm)	205
Min. Front Swing Radius (mm)	1470
Tail Swing Radius (mm)	730

Operating Information	
Max Digging Depth (mm)	2390
Max Dump Height (mm)	2545
Max Reach at Ground Level (mm)	3945
Max Vertical Digging Depth (mm)	1970
Max Bucket Digging Force (kN)	14
Max Arm Digging Force (kN)	8.2

Hydraulic System	
Set Pressure (bar)	210
Pump Type	Variable + Double Gear
Hydraulic Flow Aux Port (l/min)	33.6

Swing System	
Boom Swing Angle (R/L)	70° / 50°
Slew Speed (rpm)	9.2
Slew Motor	Trachoid Gear
Slew Brake	Wet Friction Plate

Undercarriage	
Traction Motor	Piston
Traction Drive	Epicyclic Gearing
Traction Brake	Wet Friction Plate
Traction Width (mm)	230
Ground Contact Length (mm)	1205
Ground Pressure (kpa)	26.9
Travel Speed (km/h)	2.2-4.2
Maximum Gradeability	15°

Capacities	
Hydraulic System (l)	24
Fuel Tank (l)	22
Engine Lubrication (l)	2.8
Cooling System (l)	3.9

All dimensions unless otherwise stated are in millimeters.

For more information locally

call us direct, or contact:



Takeuchi Mfg (UK) Ltd, Unit E2B Kingsway Business Park,
John Boyd Dunlop Drive, Rochdale, Lancashire OL16 4NG
Tel: 01706 657 722 Fax: 01706 657 744

Southern Depot at 20 Colthrop Business Park
Colthrop Lane, Thatcham, Newbury, Berks RG19 4NB
Tel: 01635 877 196 Fax: 01635 877 195

www.takeuchi-mfg.co.uk Email: sales@takeuchi-mfg.co.uk

5/2020

Takeuchi machines come with a 2 year/2000 hours warranty as standard. Warranty exceptions to 1 year; fuel injection systems, electrical components, paint work.

In accordance with our established policy of constant improvement, we reserve the right to amend these specifications at any time without notice.
Photographs shown may feature non-standard equipment.

TAKEUCHI
Japanese for Reliability



EASY ACCESS & MAINTENANCE

Full width service door for easy radiator access, fuel filter and maintenance. High capacity 22 litre fuel tank. A removeable floor plate allows access to the main control valve.

Lockable storage for tool bag and grease gun. The 12v battery is conveniently located below the seat.



EASY TO OPERATE & REDUCED TAIL SWING

The TB217R offers operators a compact easy to operate mini with built in colour VDU and comfortable operator seat.

Offering excellent accessibility the TB217R with just 730mm slew radius and a compact rear side, will work close up to walls without any potential machine damage. The TB217R has just 70mm overhang at 90° to extended track.

PERFORMANCE

- Proven strong track frame design offers excellent balance and stability with a longer than average track frame (1570mm).
- Simultaneous operation of swing and digging function, and two speed travel gives fast cycle times.
- Auxiliary hoses are easy to attach and well positioned high up the dipper arm for added protection.

OPERATION

- Boom swing angle RH 50° and LH 70°.
- Cushioned main boom and swing cylinders for smooth operation.
- Boom and canopy mounted work lights give options for all types of working conditions.
- Well positioned enhanced VDU - warning indicators, hour meter, fuel, battery charge, temperature, oil pressure and maintenance alerts.

SAFETY & SERVICE

- Enhanced 100% steel wraparound frame protects key components.
- Standard service features include; Safe Drain engine oil system, fuel drain system, hydraulic oil cooler and maintenance-free battery.

OPTIONS

- TKB52-S Breaker
- Quick Hitch
- Bucket sizes from 150-1000mm

