

takeuchi
NEW ARRIVAL

FULL HYDRAULIC COMPACT EXCAVATOR

TB260

Machine Weight : 5570kg



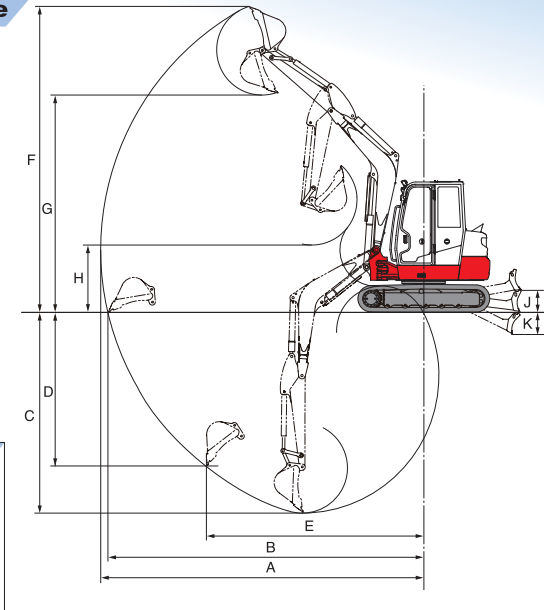
takeuchi

TB260

Machine Weight : 5570kg

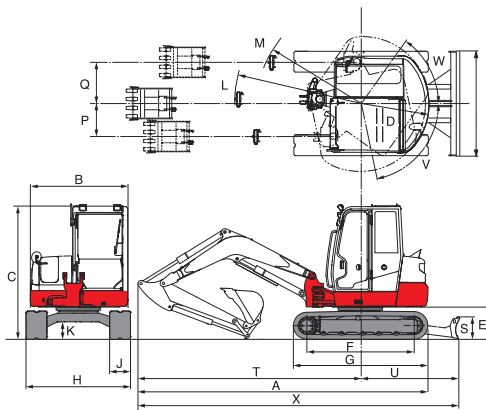
Operating Range

A	6120
B	5975
C	3735
D	2830
E	4175
F	5835
G	4115
H	1465
J	430
K	430



Dimensions

A	5540
B	1870
C	2600
D	1300
E	635
F	2050
G	2575
H	2000
J	400
K	330
L	2390
M	1945
P	655
Q	785
R	2000
S	430
T	4240
U	1870
V	78°
W	55°
X	6110



SPECIFICATIONS

Basic Specifications / Dimensions			Hydraulic Performance		
Machine Mass (Long Arm)	kg	5570	Rated Flow Rate P1, P2	L/min	58.3
Bucket Capacity	m ³	0.17	Set Pressure P1, P2	MPa	24
Engine Manufacturer	—	YANMAR	Rated Flow Rate P3	L/min	43.9
Engine Model	—	4TNV84T	Set Pressure P3	MPa	20.6
Rated Output (ISO 9249)	kW	33.6	Service Port 1 Flow Rate	L/min	102.2
Rated Speed	min ⁻¹	2400	Service Port 1 Pressure	MPa	20.6
Fuel Tank Capacity	L	80	Service Port 1 Control	—	Proportional Control at Left Hand Lever
Overall Length in Transport Condition	mm	5550	Service Port 2 Flow Rate	L/min	44
Overall Width in Transport Position	mm	2000	Service Port 2 Pressure	MPa	20.6
Overall Height in Transport Condition	mm	2549	Service Port 2 Control	—	Proportional Control at Right Hand Lever
Crawler Length	mm	2573	Service Port 3 Flow Rate (A/B)	L/min	11/23
Undercarriage Width	mm	2000	Service Port 3 Pressure (A/B)	MPa	3.4/20.6
Spanner	mm	—	Service Port 3 Control	—	Trigger at Left Hand Lever + Foot Switch
Dozer Blade Width × Height	mm	2000×431	Slew Speed	min ⁻¹	9.4
Rear-end Swing Radius	mm	1300	Travel Speed	km/h	5.0/2.9
Track Shoe Width	mm	400	Maximum Traction Force (Calculated)	kN	62
Ground Clearance of Undercarriage	mm	321	Automatic Travel Speed Shifting		○
Operating Ranges (Long Arm) / Digging Force			Slew / Travel Parking Brake		○/○
Maximum Digging Depth	mm	3735	Equipment		
Maximum Reach	mm	6120	Monitoring Display (Items/Fuel Gauge/Coolant Temperature)		LCD(color)/○/○
Boom Swing Angle Left / Right	deg	78/55	12V Power Socket		○
Dozer Blade Operating Range Upper / Lower	mm	427/429	Tail Lamp		○
Bucket Digging Force	kN	43.2	ROPS/TOPS/FOPS/OPG Cab		○/○/○/○(OPT)
Long Arm Digging Force	kN	25.6			
Long Arm Length	mm	1780			

TAKEUCHI

WORLD CREATOR OF COMPACT EXCAVATOR
TAKEUCHI MFG.CO.,LTD.
 205, Uwadaira,Sakaki-machi, Hanisina-gun.
 Nagano 389-0605,Japan
 Phone (81)268-81-1112
 Telefax(81)268-81-1121
 URL <http://www.takeuchi-mfg.co.jp>
 E-mail:marketing@takeuchi-mfg.com