

takeuchi
NEW ARRIVAL

FULL HYDRAULIC COMPACT EXCAVATOR

TB215R

Machine Weight : 1500kg



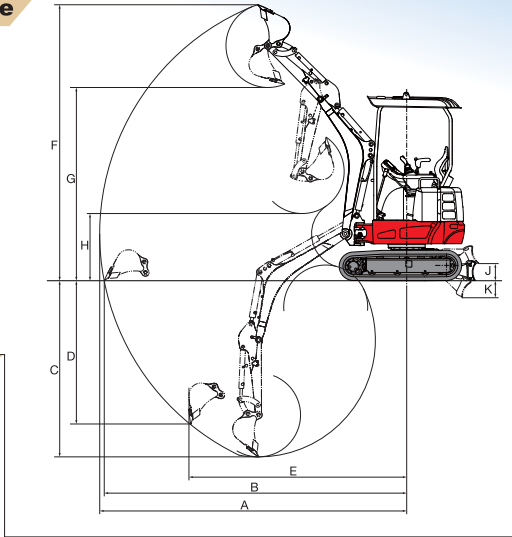
takeuchi

TB215R

Machine Weight : 1500kg

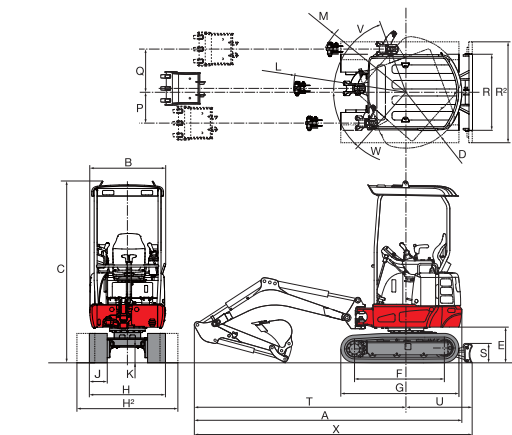
Operating Range

A	3815
B	3760
C	2190
D	1780
E	2705
F	3430
G	2400
H	835
J	215
K	210



Dimensions

A	3445
B	980
C	2345
D	720
E	460
F	1155
G	1520
H	980
H2	1300
J	230
K	205
L	1450
M	1185
P	445
Q	505
R	980
R2	1300
S	250
T	2725
U	860
V	70°
W	60°
X	3583



SPECIFICATIONS

Basic Specifications / Dimensions			Hydraulic Performance		
Machine Mass	kg	1500	Rated Flow Rate P1, P2	L/min	16.8×2
Bucket Capacity	m³	0.038	Set Pressure P1, P2	MPa	21
Engine Manufacturer	—	YANMAR	Rated Flow Rate P3	L/min	10.8
Engine Model	—	3TNV70	Set Pressure P3	MPa	20
Rated Output (ISO 9249)	kW	10.9	Service Port 1 Flow Rate	L/min	33.6
Rated Speed	min ⁻¹	2400	Service Port 1 Pressure	MPa	21
Fuel Tank Capacity	L	22	Service Port 1 Control	—	Foot Pedal
Overall Length in Transport Condition	mm	3445	Service Port 2 Flow Rate	L/min	10.8
Overall Width in Transport Position	mm	980	Service Port 2 Pressure	MPa	20
Overall Height in Transport Condition	mm	2345	Service Port 2 Control	—	Proportional Switch at Right Hand Lever
Crawler Length	mm	1520	Service Port 3 Flow Rate (A/B)	L/min	6.5/10.8
Undercarriage Width	mm	980/1300	Service Port 3 Pressure (A/B)	MPa	3.4/20
Spanner	mm	980/1300	Service Port 3 Control	—	BottomSW+FootSW
Dozer Blade Width × Height	mm	980/1300×230	Slew Speed	min ⁻¹	9.2
Rear-end Swing Radius	mm	720	Travel Speed	km/h	4.2/2.2
Track Shoe Width	mm	230	Maximum Traction Force (Calculated)	kN	19.4
Ground Clearance of Undercarriage	mm	205	Automatic Travel Speed Shifting		○
Operating Ranges / Digging force			Slew / Travel Parking Brake		○/○
Maximum Digging Depth	mm	2190	Equipment		
Maximum Reach	mm	3815	Monitoring Display (Items/Fuel Gauge/Coolant Temperature)		LCD/○/○
Boom Swing Angle Left / Right	deg	70/50	Blade Width Extension Without Tools		×
Dozer Blade Operating Range Upper / Lower	mm	215/210	12V Power Socket		○
Bucket Digging Force	kN	14	Tail Lamp		×
Arm Digging Force	kN	9.5	ROPS/TOPS/FOPS/OPG Canopy		○/○/○/×
Arm Length	mm	930	Tie Down		○
Boom Cylinder Layout		rear			

TAKEUCHI

WORLD CREATOR OF COMPACT EXCAVATOR
TAKEUCHI MFG.CO.,LTD.
 205, Uwadaira,Sakaki-machi, Hanisina-gun.
 Nagano 389-0605,Japan
 Phone (81)268-81-1112
 Telefax(81)268-81-1121
 URL <http://www.takeuchi-mfg.co.jp>
 E-mail:marketing@takeuchi-mfg.com